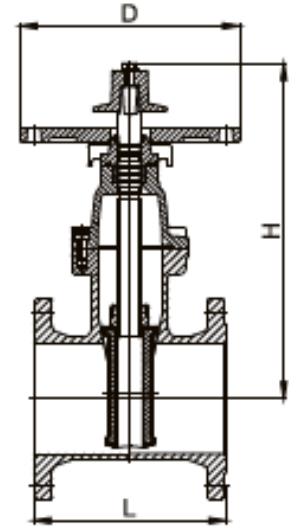


POST INDICATOR GATE VALVES

FL X FL ENDS

Material Specifications

PART	MATERIAL	ASTM SPECIFICATION
Body	Ductile Iron	A536 Grade 65-45-12
Wedge	EPDM Fully Encapsulated Ductile Iron	
Wedge Nut	Bronze	B148 C95200
Bonnet	Ductile Iron	A536 Grade 65-45-12
Stem	Stainless Steel	A276 Type 304
Gland	Ductile Iron	A536 Grade 65-45-12
Thrust Collar	Bronze	B148 C95200
Operating Nut	Ductile Iron	A536 Grade 65-45-12
Post Flange	Ductile Iron	A536 Grade 65-45-12
Fasteners	Carbon Steel	A307 Grade B
Body/Bonnet Gasket	EPDM	D2000



Specifications

- Meet or exceed the requirements of AWWA C515 Standard.
- Handwheel or 2" Square Operating Nut
- Full Waterway
- Rubber Fully Encapsulated Ductile Iron Wedge.
- Triple O-Ring Stem Seal
- Face to Face Dimension comply with ASME B16.10 and EN558
- Flange and Drilling comply with ASTM B16.1 Class 125
- UL/ULC 262 Listed, FM 1120/1130 Approved and GOST Certified
- ANSI/NSF 61 & 372 Certified.
- Rated Working Pressure: 300 psi for 4" to 12"

Options

- Without Post Flange
- Other Flange Types available upon request

Corrosion Protection

- Fusion Bonded Epoxy Coated Interior and Exterior to AWWA C550 Standard

Notes

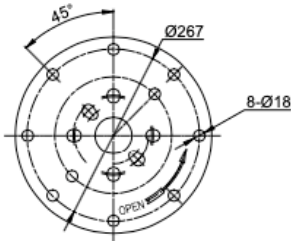
- 4" to 12" valves are UL/ULC listed

PART #	9600FL4PIV	9600FL6PIV	9600FL8PIV	9600FL10PIV	9600FL12PIV
SIZE	4	6	8	10	12
L	229/9	267/10.5	292/11.5	330/13	356/14
H	350/13.75	465/18.3	559/22	635/25	724/28.5
D	305/12	305/12	305/12	305/12	305/12

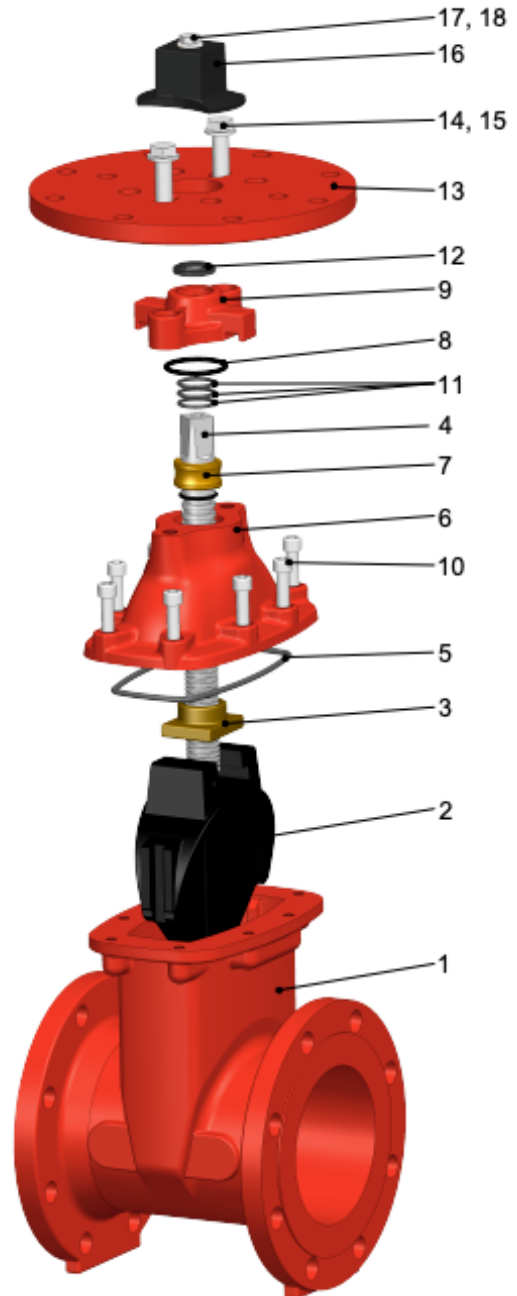
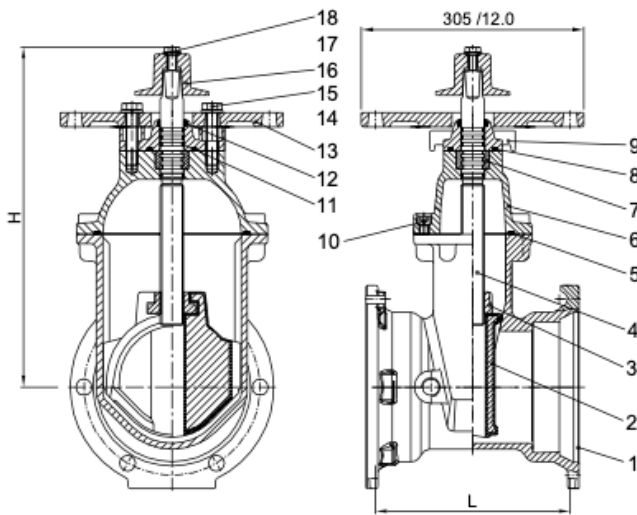
POST INDICATOR GATE VALVES

FL X FL ENDS

Post Plate



PART #	9600FL4PIV	9600FL6PIV	9600FL8PIV	9600FL10PIV	9600FL12PIV
SIZE	4"	6"	8"	10"	12"
L	229/9.0	267/10.5	292/11.5	330/13.0	356/14
H	370 / 14.6	465 / 18.3	550 / 21.7	640 / 25.2	725 / 28.5
Bolt (No. 14)	M12 / 0.47	M16 / 0.63	M16 / 0.63	M16 / 0.63	M16 / 0.63



NO.	DESCRIPTION	MATERIAL	ASTM SPECIFICATION
1	Body	Ductile Iron	A536 Grade 65-45-12
2	Wedge	EPDM Fully Encapsulated Ductile Iron	
3	Wedge Nut	Bronze	B148 C95200
4	Stem	Stainless Steel	A276 Type304
5	Gasket	Rubber EPDM	D2000
6	Bonnet	Ductile Iron	A536 Grade 65-45-12
7	Thrust Collar	Bronze	B148 C95200
8	O-Ring	Rubber NBR	D2000
9	Gland	Ductile Iron	A536 Grade 65-45-12
10	Screw	Carbon Steel	A307 GradeB
11	O-Ring	Rubber NBR	D2000
12	Scraper Seal	Rubber NBR	D2000
13	Post Plate	Ductile Iron	A536 Grade 65-45-12
14	Bolt	Stainless Steel	F593 Grade 304
15	Washer	Stainless Steel	A276 Type 304
16	Operating Nut	Ductile Iron	A536 Grade 65-45-12
17	Bolt	Stainless Steel	F593 Grade 304
18	Washer	Stainless Steel	A276 Type 304